

무두 스크류 · DIN 6332 돌출부가 있는 형 EH 22540.



제품 설명

무두 스크류는 추력 지점을 통해 힘을 직접 전달할 수 있는 클램핑 나사이다. 스틸 버전의 추력 지점의 압력 표면은 경화처리되어 있다. 민감한 표면을 클램핑하기 위해서 스러스트 패드 EH 22560. (DIN 6311 과 낮은 버전) 가 추력 지점에 부착될 수 있다. 스러스트 패드의 스냅링은 무두 스크류와 스러스트 패드를 손으로 분리할 수 있게 한다. 추력 지점이 있는 무두 스크류는 추력 지점의 추가 반경 "r" (DIN 6332에 비해 최적화) 은 스러스트 패드의 조립을 더욱 쉽게 한다. 무두 스크류의 추력지점 직경은 나사산의 코어 직경보다 작기 때문에 핀 쪽에서도 나사로 조일 수 있다.

재질

- 스틸, 흑색처리, 재질 5.8, 돌출부 경화처리
- 스테인리스 스틸

더 많은 정보

추가 제품

- 스러스트 패드, DIN 6311 납작한 모델


그림



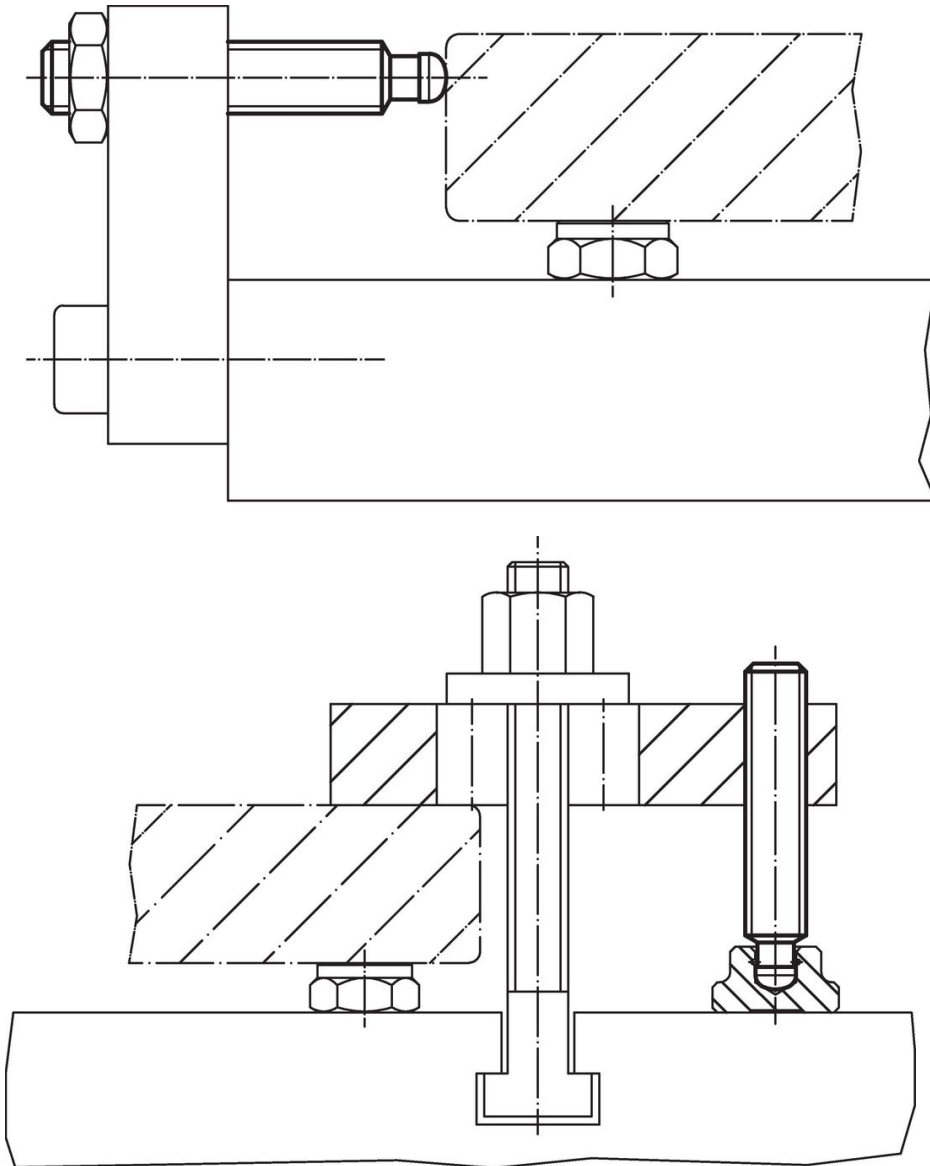
* 쉬운 조립을 위해서 DIN6632는 r에 의해 마무리 된다.

주문 정보

d ₁	l ₁	d ₂ h11	d ₃	치수 l ₂	l ₃	l ₄ ~	l ₅ ~	n	WS [mm]	중량 [g]	제품 번호.
[mm]											
일자홈 (S) - 그림 1, 스틸											
M 6	30	4,5	4,0	6,0	2,5	32,1	-	1,0	-	4,5	22540.0061
M 6	50	4,5	4,0	6,0	2,5	52,1	-	1,0	-	7,8	22540.0062
M 8	40	6,0	5,4	7,5	3,0	43,0	42,5	1,2	-	11,0	22540.0081
M 8	60	6,0	5,4	7,5	3,0	63,0	62,5	1,2	-	17,0	22540.0082
M10	60	8,0	7,2	9,0	4,5	63,6	62,6	1,6	-	27,0	22540.0101
M10	80	8,0	7,2	9,0	4,5	83,6	82,6	1,6	-	37,0	22540.0102
M12	60	8,0	7,2	10,0	4,5	64,6	62,6	2,0	-	38,0	22540.0121
M12	80	8,0	7,2	10,0	4,5	84,6	82,6	2,0	-	51,0	22540.0122
M12	100	8,0	7,2	10,0	4,5	104,6	102,6	2,0	-	65,0	22540.0123
M16	80	12,0	11,0	12,0	5,0	85,4	82,9	2,5	-	100,0	22540.0161
M16	100	12,0	11,0	12,0	5,0	105,4	102,9	2,5	-	124,0	22540.0162
M16	125	12,0	11,0	12,0	5,0	130,4	127,9	2,5	-	160,0	22540.0163
M20	100	15,5	14,4	14,0	5,5	105,5	-	3,0	-	190,0	22540.0201
M20	125	15,5	14,4	14,0	5,5	130,5	-	3,0	-	240,0	22540.0202
M20	150	15,5	14,4	14,0	5,5	155,5	-	3,0	-	290,0	22540.0203
일자홈 (S) - 그림 1, 스테인리스 스틸											
M 6	30	4,5	4,0	6,0	2,5	32,1	-	1,0	-	4,5	22540.1061
M 6	50	4,5	4,0	6,0	2,5	52,1	-	1,0	-	7,8	22540.1062
M 8	40	6,0	5,4	7,5	3,0	43,0	42,5	1,2	-	11,0	22540.1081

d ₁	l ₁	d ₂ h11	d ₃	치수					n	WS [mm]	 [g]	제품 번호
				l ₂	l ₃	l ₄ ~	l ₅ ~	[mm]				
M 8	60	6,0	5,4	7,5	3,0	63,0	62,5	1,2	-	17,0	22540.1082	
M10	60	8,0	7,2	9,0	4,5	63,6	62,6	1,6	-	27,0	22540.1101	
M10	80	8,0	7,2	9,0	4,5	83,6	82,6	1,6	-	37,0	22540.1102	
M12	60	8,0	7,2	10,0	4,5	64,6	62,6	2,0	-	38,0	22540.1121	
M12	80	8,0	7,2	10,0	4,5	84,6	82,6	2,0	-	51,0	22540.1122	
M12	100	8,0	7,2	10,0	4,5	104,6	102,6	2,0	-	65,0	22540.1123	
M16	80	12,0	11,0	12,0	5,0	85,4	82,9	2,5	-	100,0	22540.1161	
M16	100	12,0	11,0	12,0	5,0	105,4	102,9	2,5	-	124,0	22540.1162	
M16	125	12,0	11,0	12,0	5,0	130,4	127,9	2,5	-	160,0	22540.1163	
M20	100	15,5	14,4	14,0	5,5	105,5	-	3,0	-	190,0	22540.1201	
M20	125	15,5	14,4	14,0	5,5	130,5	-	3,0	-	240,0	22540.1202	
M20	150	15,5	14,4	14,0	5,5	155,5	-	3,0	-	290,0	22540.1203	
육각축(IS) - 그림 2, 스틸												
M 6	30	4,5	4,0	6,0	2,5	32,1	-	-	3	4,3	22540.0361	
M 6	50	4,5	4,0	6,0	2,5	52,1	-	-	3	7,6	22540.0362	
M 8	40	6,0	5,4	7,5	3,0	43,0	42,5	-	4	11,0	22540.0381	
M 8	60	6,0	5,4	7,5	3,0	63,0	62,5	-	4	17,0	22540.0382	
M10	60	8,0	7,2	9,0	4,5	63,6	62,6	-	5	26,0	22540.0401	
M10	80	8,0	7,2	9,0	4,5	83,6	82,6	-	5	36,0	22540.0402	
M12	60	8,0	7,2	10,0	4,5	64,6	62,6	-	6	36,0	22540.0421	
M12	80	8,0	7,2	10,0	4,5	84,6	82,6	-	6	51,0	22540.0422	
M12	100	8,0	7,2	10,0	4,5	104,6	102,6	-	6	117,0	22540.0423	
M16	80	12,0	11,0	12,0	5,0	85,4	82,9	-	8	91,0	22540.0461	
M16	100	12,0	11,0	12,0	5,0	105,4	102,9	-	8	119,0	22540.0462	
M16	125	12,0	11,0	12,0	5,0	130,4	127,9	-	8	154,0	22540.0463	
M20	100	15,5	14,4	14,0	5,5	105,5	-	-	10	178,0	22540.0501	
M20	125	15,5	14,4	14,0	5,5	130,5	-	-	10	230,0	22540.0502	
M20	150	15,5	14,4	14,0	5,5	155,5	-	-	10	284,0	22540.0503	
육각축(IS) - 그림 2, 스테인리스 스틸												
M 6	30	4,5	4,0	6,0	2,5	32,1	-	-	3	4,3	22540.1361	
M 6	50	4,5	4,0	6,0	2,5	52,1	-	-	3	7,6	22540.1362	
M 8	40	6,0	5,4	7,5	3,0	43,0	42,5	-	4	11,0	22540.1381	
M 8	60	6,0	5,4	7,5	3,0	63,0	62,5	-	4	17,0	22540.1382	
M10	60	8,0	7,2	9,0	4,5	63,6	62,6	-	5	26,0	22540.1401	
M10	80	8,0	7,2	9,0	4,5	83,6	82,6	-	5	36,0	22540.1402	
M12	60	8,0	7,2	10,0	4,5	64,6	62,6	-	6	36,0	22540.1421	
M12	80	8,0	7,2	10,0	4,5	84,6	82,6	-	6	51,0	22540.1422	
M12	100	8,0	7,2	10,0	4,5	104,6	102,6	-	6	117,0	22540.1423	
M16	80	12,0	11,0	12,0	5,0	85,4	82,9	-	8	91,0	22540.1461	
M16	100	12,0	11,0	12,0	5,0	105,4	102,9	-	8	119,0	22540.1462	
M16	125	12,0	11,0	12,0	5,0	130,4	127,9	-	8	154,0	22540.1463	
M20	100	15,5	14,4	14,0	5,5	105,5	-	-	10	178,0	22540.1501	
M20	125	15,5	14,4	14,0	5,5	130,5	-	-	10	230,0	22540.1502	
M20	150	15,5	14,4	14,0	5,5	155,5	-	-	10	284,0	22540.1503	

적용 예



규정 준수

자세한 규정 준수 정보를 보려면 원하는 품목 번호를 선택하십시오.